



SpotClip

Downlight covers for safe lighting installation in suspended ceilings



# SpotClip is a unique and innovative range products for the safe and easy installation

Our inhouse team of developers at HellermannTyton have responded quickly to new challenges in downlighting to offer the best solution for residential and industrial buildings.



## Residential buildings

SpotClip-I, SpotClip-II, SpotClip-III, and SpotClip-Box are designed for use in residential buildings. This new and innovative range of products has been developed to mount downlights in all types of suspended ceilings, ensuring the necessary safety distance to insulation material. This reduces the risk of fire and overheating to a minimum. Furthermore, the SpotClip solution increases the life span of lighting.



of  
of downlights.



## Industrial buildings

SpotClip-Kit and SpotClip-Plate are designed for the use in industrial buildings. This new and innovative product range has been developed to mount downlights in all types of suspended ceilings, ensuring the necessary safety distance to insulation material. SpotClip-Plate prevents damage and cracks in ceiling plates caused by the weight of heavy downlights.

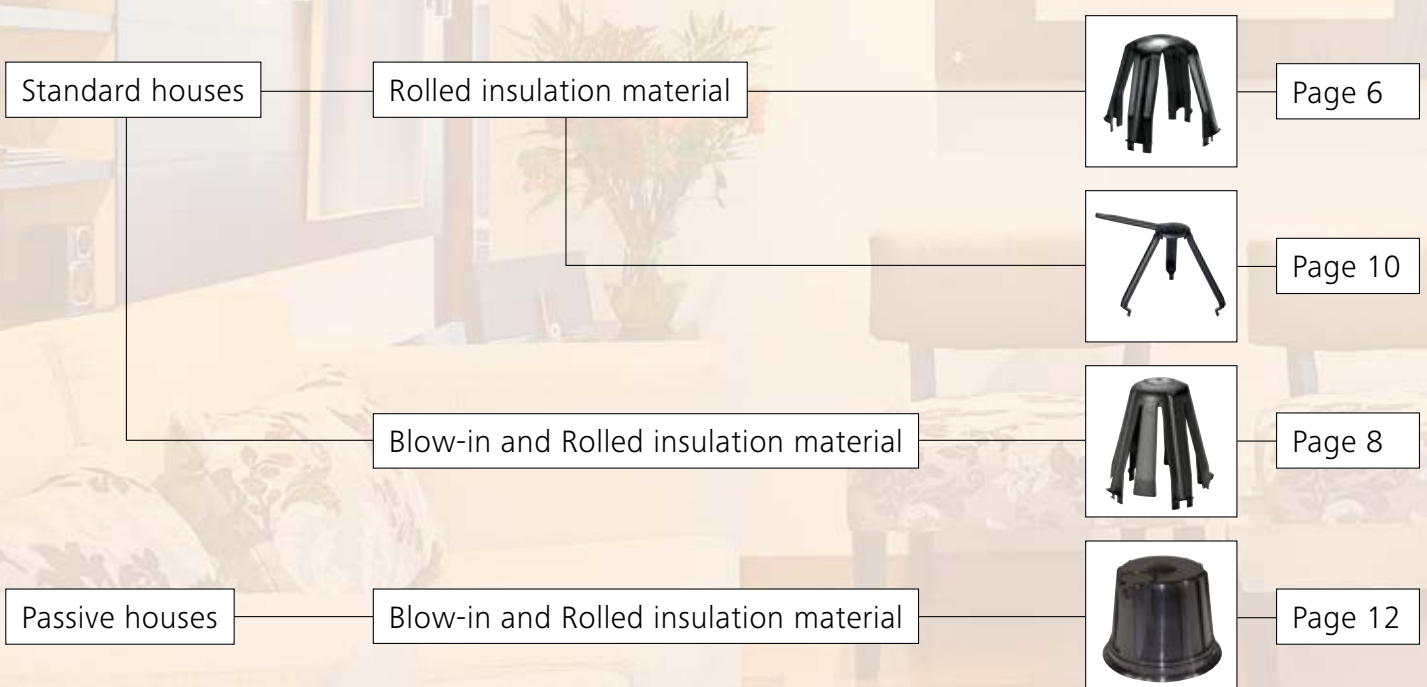


# Choosing the right product.

This chart will help you to select the right product



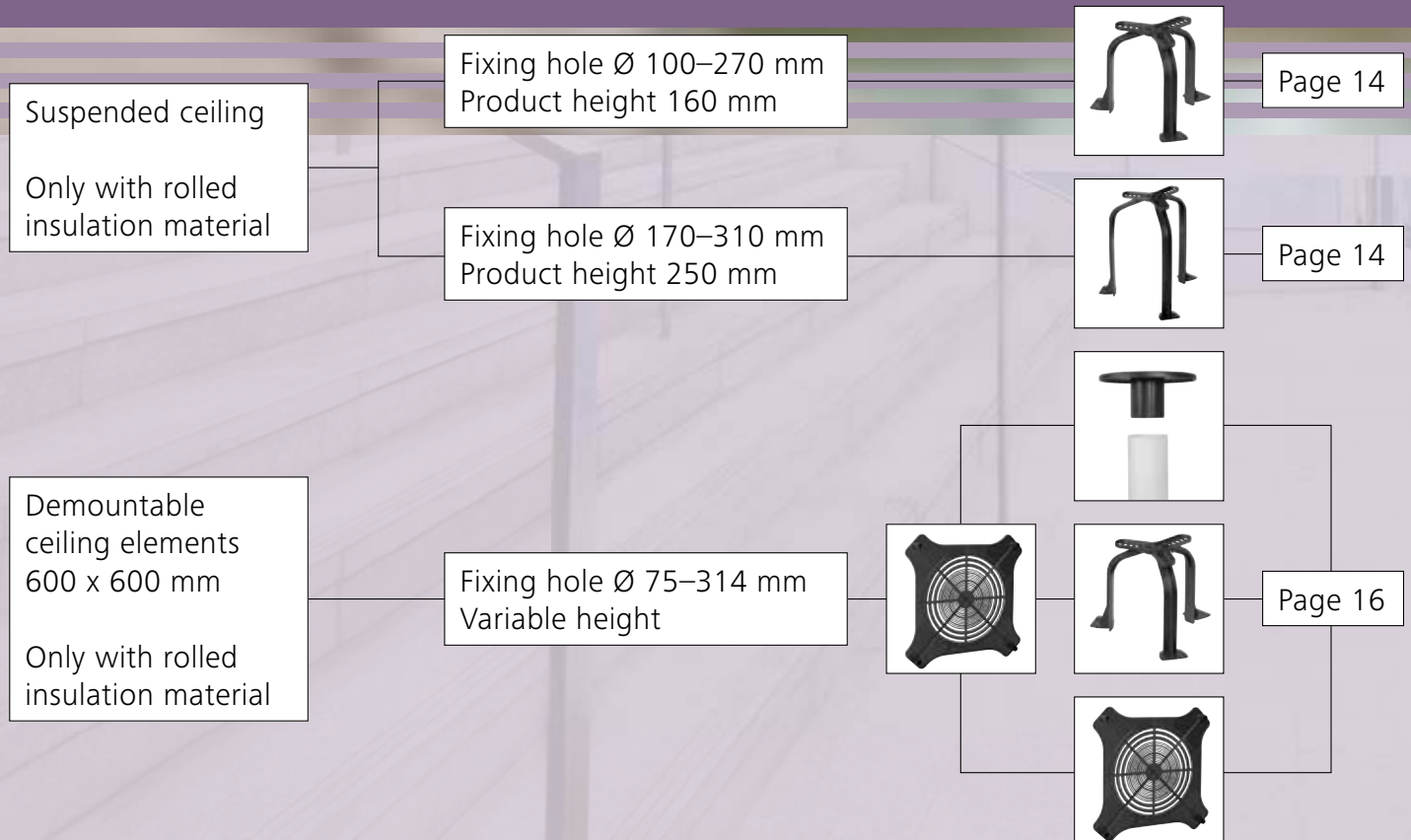
## Residential buildings



for your application.



## Industrial buildings





### Downlight covers - For residential buildings

#### • SpotClip-I

SpotClip-I is a unique solution developed for mounting halogen and LED downlights in plasterboard and ceiling tiles. This innovative 4-leg downlight cover offers outstanding safety and installation features and is suitable for use in both panelling and plasterboard ceilings. SpotClip-I is made from non-flammable, fibre-glass reinforced polyamide, offering a range of thermal and mechanical benefits. It can be installed both during or after construction. The SpotClip-I downlight cover is an optimal solution for a wide variety of applications in existing and new buildings. It can be used in ceiling cavities with diameters of 62 to 90 mm and ensures the safety distance between the downlight, insulation foil and insulation material. SpotClip-I reduces the risk of damage caused to insulation material as a result of overheating and heat accumulation, while potentially increasing the life span of light bulbs.



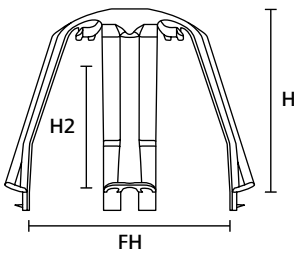
SpotClip-I installed in a dry mortarless construction with insulation wool.



Application video: SpotClip



SpotClip-I: 4-leg downlight cover.



SpotClip-I

<b>MATERIAL</b>	Polyamide 6.6, Glassfibre reinforced (PA66GF15%)
<b>Operating Temperature</b>	-20 °C to +120 °C
<b>Flammability</b>	material rated UL94 V0 at 1.5mm thickness, Glow Wire Test (GWT) 960°C



TYPE	Hole Ø (FH) min.	Hole Ø (FH) max.	Height (H)	Height (H2)	Colour	Pack Cont.	Article-No.
SpotClip-I	62.0	90.0	82.0	70.0	Black (BK)	10 pcs.	148-00076

All dimensions in mm. Subject to technical changes.  
Minimum Order Quantity (MOQ) may differ from package content.



### Downlight covers - For residential buildings

- **SpotClip-I**

#### Features and Benefits

- Ensures safety distance between downlight, damp-proof foil and insulation material
- Flexible installation both during or after construction
- Additional spikes at the end of the legs prevent SpotClip shifting
- Suitable for fixing into holes from 62 - 90 mm diameter
- Maximum downlight height 70 mm
- Intelligent cable routing with eyelet at the top
- Prevents damage to insulation material caused by overheating
- Remains rigid even at higher temperatures
- Faster and easier installation and replacement of bulbs
- Tested according to EN 60598-1, EN 60598-2-2, and NF C 15100



Cable retainers hold the downlight supply cable in place.



Additional retaining spikes prevent shifting and displacement during mounting.



Support wings prevent SpotClip shifting.



1. Squeeze the mounting legs to install SpotClip in the fixing hole.



2. Place SpotClip in the desired position.



3. Push the spikes into the plasterboard to prevent shifting.



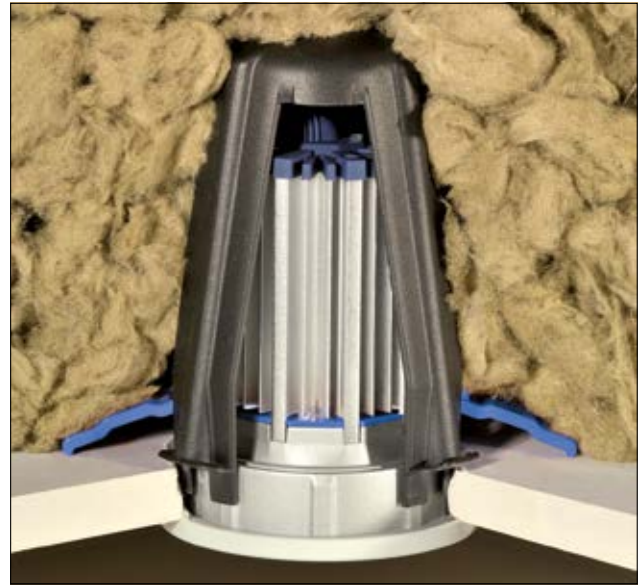
4. The downlight can now be safely and securely installed.



### Downlight covers - For residential buildings

#### • SpotClip-II

SpotClip-II has been developed for use with large halogen and LED spotlights. Additional, flexible legs allow use with blow-in insulation material. The legs can be easily removed to facilitate cable installation. The downlight cover can be inserted easily into the ceiling cavity and offers valuable savings on installation time. SpotClip creates a reliable gap between the light bulb and the insulation material, reducing the risk of overheating and heat accumulation.



The additional 4 legs on SpotClip-II allow use with blow-in cavity insulation.



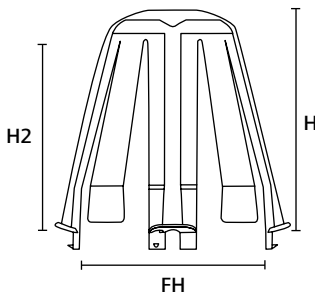
Application video: SpotClip-II



SpotClip-II downlight cover with 4 additional flexible legs.



SpotClip-II shown using standard insulation wool.



SpotClip-II

<b>MATERIAL</b>	Polyamide 6.6, Glassfibre reinforced (PA66GF15%)
<b>Operating Temperature</b>	-20 °C to +120 °C
<b>Flammability</b>	material rated UL94 V0 at 1.5mm thickness, Glow Wire Test (GWT) 960°C



TYPE	Hole Ø (FH) min.	Hole Ø (FH) max.	Height (H)	Height (H2)	Colour	Pack Cont.	Article-No.
SpotClip-II	62.0	90.0	107.0	95.0	Black (BK)	10 pcs.	148-00098

All dimensions in mm. Subject to technical changes.  
Minimum Order Quantity (MOQ) may differ from package content.





### Downlight covers - For residential buildings

- **SpotClip-II**

#### Features and Benefits

- SpotClip-II has been developed for bulbs up to 95 mm height
- Ensures safety distance between downlight, damp-proof foil and insulation material
- Flexible installation during or after construction
- Additional spikes at the end of the legs prevent SpotClip shifting
- Suitable for fixing into holes from 62 - 90 mm diameter
- Remains rigid even at higher temperatures
- Flame retardant material according to UL94-V0
- Improves life span and reliability of lamps
- Tested according to EN 60598-1, EN 60598-2-2, and NF C 15100



*SpotClip-I and SpotClip-II for maximum downlight heights of 70 mm and 95 mm respectively.*



*Retaining spikes and support wings hold SpotClip-II in the required position.*



*1. Place SpotClip in the desired position.*



*2. Push the spikes into the plasterboard to prevent shifting.*



*3. The downlight can now be safely and securely installed.*



### Downlight covers - For residential buildings

- **SpotClip-III**

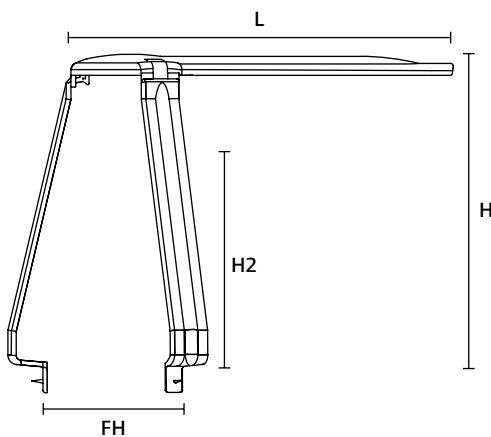
SpotClip-III has been developed to allow the use of an external power supply unit. If the spot light is without external power, the additional straight leg can be easily cut and removed manually. The straight leg helps to prevent contact between insulation and the external power supply unit of the downlight. SpotClip-III fits all standard applications with solid insulation material. It is delivered flat with flexible legs that are locked in place within seconds. The height of the downlight cover is dependent on the fixing hole diameter. SpotClip-III is suitable for spot light diameters from 62 mm to 120 mm and a maximum height of 115 mm.



SpotClip-III for downlight application with external power supply.



SpotClip-III downlight cover- Easy-to-mount legs with one click folding function.



SpotClip-III

<b>MATERIAL</b>	Polyamide 6.6, heat stabilised (PA66HS)
<b>Operating Temperature</b>	-40 °C to +105 °C
<b>Flammability</b>	UL94 V2, self-extinguishing, Glow Wire Test (GWT) 960°C

HF ✓

RoHS ✓

TYPE	Hole Ø (FH) min.	Hole Ø (FH) max.	Height (H)*	Height (H2)*	Length (L)	Colour	Pack Cont.	Article-No.
SpotClip-III	62.0	120.0	130.0	115.0	160.0	Black (BK)	5	148-00121

All dimensions in mm. Subject to technical changes.  
Minimum Order Quantity (MOQ) may differ from package content. \* For fixing hole diameter min. 65 mm.

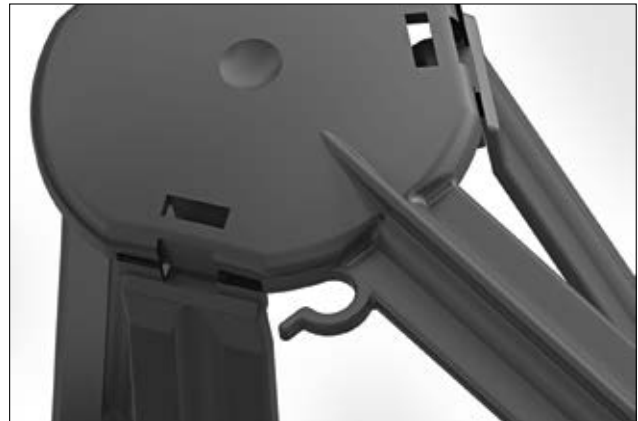


### Downlight covers - For residential buildings

- **SpotClip-III**

#### Features and Benefits

- A mounting support for the external power supply unit provides more space for the downlight installation
- Ensures safety distance between the downlight, damp-proof foil and insulation material
- Flexible installation during or after construction
- Additional spikes at the end of the legs prevent SpotClip shifting
- Prevents damage to insulation material caused by overheating
- Flame retardant material according to UL94-V2
- Improves life span and reliability of lamps
- Faster and easier installation and replacement of bulbs
- Tested according to EN 60598-1, EN 60598-2-2, and NF C 15100



One cable retainer to fix the power supply cable at the top.



Click and fix mounting mechanism for the 3 flexible legs.



New leg design combined with retaining spikes for high stability throughout installation.



1. Insert the mounting support through the fixing hole.



2. Press the spikes into the plasterboard to ensure stability of SpotClip-III.



3. Install the downlight.



4. Connect the power supply unit and fix the cable in the cable retainer.



### Downlight covers - For residential buildings

- **SpotClip-Box**

SpotClip-Box has been designed especially for passive houses. This innovative downlight cover prevents contact between insulation material and the bulb. The insulation remains continuous, thus avoiding any breach in the integrity of insulation in the passive house. SpotClip-Box is suitable for LED and compact fluorescent-lamp downlights with a diameter of up to 75 mm and a maximum height of 130 mm.

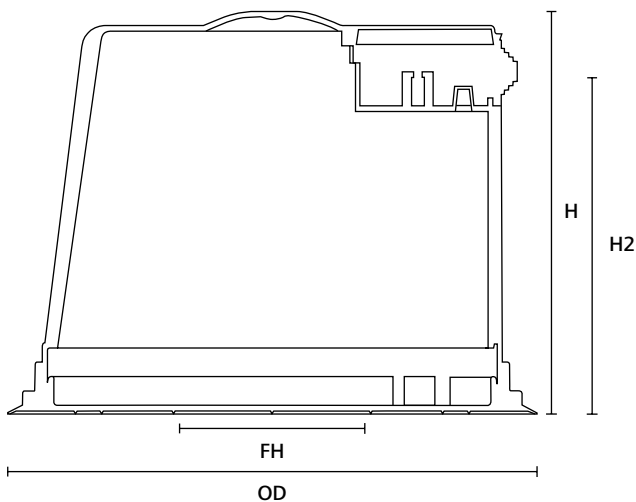
It is available as a complete kit, including HelaCon Lux wire connectors and all necessary mounting components.



SpotClip-Box - Especially designed for passive house applications.



View inside the SpotClip-Box.



SpotClip-Box

<b>MATERIAL</b>	Polyamide 6.6, heat stabilised (PA66HS)
<b>Operating Temperature</b>	-40 °C to +105 °C
<b>Flammability</b>	UL94 V2, self-extinguishing, Glow Wire Test (GWT) 960°C



TYPE	Hole Ø (FH) max.	Height (H)	Height (H2)	Outside Ø (OD)	Colour	Pack Cont.	Article-No.
SpotClip-Box	75.0	140.0	130.0	184.0	Black (BK)	1	148-00122

All dimensions in mm. Subject to technical changes.  
Minimum Order Quantity (MOQ) may differ from package content.



### Downlight covers - For residential buildings

- **SpotClip-Box**

#### Features and Benefits

- Suitable for all types of suspended ceilings and a variety of insulation materials
- Ensures safety distance between the downlight, damp-proof foil and insulation material
- Additional spikes at the bottom of the product prevent shifting during installation
- Connection without the need for screws, with HelaCon Lux connectors included
- Prevents damage to insulation material caused by overheating
- Improves life span and reliability of lamps
- Quick and easy one-click installation with bayonet mechanism
- Can also be used to install downlights and speakers in concrete ceilings constructed on-site
- Tested according to EN 60598-1, EN 60598-2-2, and NF C 15100



*SpotClip-Box is a downlight cover supplied as a complete kit.*



*HelaCon Lux connected to the power supply.*



*Seal the complete SpotClip-box using the end cap and grommet.*



*1. Mount the bottom plate over the drilled fixing hole and install the downlight housing.*



*2. Connect the power supply to the lamp socket with the HelaCon Lux wire connectors included and lock it with the bayonet coupling.*



*3. Connect the bulb to the socket and lock into the correct position.*



*4. Insulation material can now be applied.*



### Downlight covers - For Industrial buildings

- **SpotClip-Kit**

SpotClip-Kit has been designed for use primarily in industrial and office buildings for downlights with larger dimensions. The packaging kit consists of three legs and a mounting plate. The legs are available in two different lengths (150 mm and 240 mm). SpotClip-Kit has six selectable fixing positions in the mounting plate, making it suitable for downlights of differing dimensions. SpotClip-Kit 150 is suitable for downlights with a diameter from 100 mm up to 270 mm and with a maximum height of 140 mm. SpotClip-Kit 240 is suitable for downlights with a diameter from 170 mm up to 310 mm and with a maximum height of 230 mm. SpotClip-Kit can be combined with SpotClip-Plate.



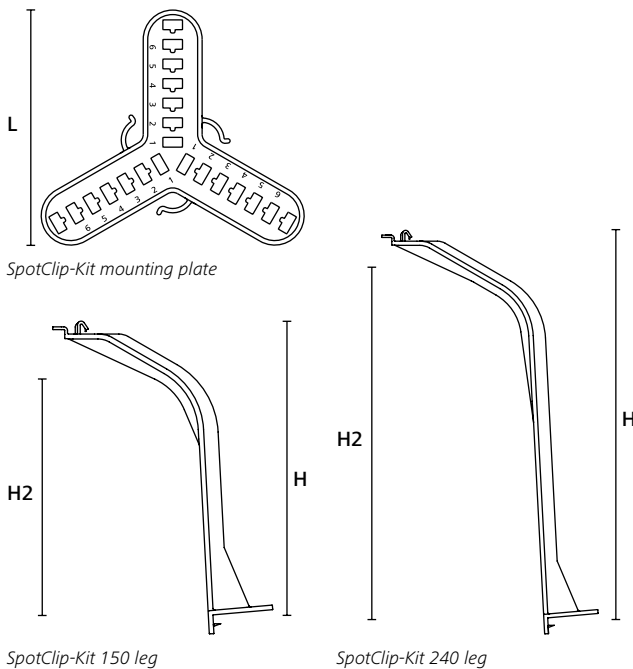
SpotClip-Kit 150 used in a suspended ceiling.



SpotClip-Kit 240 applied with a fixed sheet of insulating material.

<b>MATERIAL</b>	Polyamide 6.6, heat stabilised (PA66HS)
<b>Operating Temperature</b>	-40 °C to +105 °C
<b>Flammability</b>	UL94 V2, self-extinguishing, Glow Wire Test (GWT) 960°C

**HF** ✓ **RoHS** ✓



SpotClip-Kit downlight cover is available in two sizes.

TYPE	Hole Ø (FH) min.	Hole Ø (FH) max.	Height (H)	Height (H2)	Length (L)	Colour	Pack Cont.	Article-No.
<b>SpotClip-Kit 150</b>	100.0	270.0	157.0	140.0	120.0	Black (BK)	1	148-00119
<b>SpotClip-Kit 240</b>	170.0	310.0	247.0	230.0	120.0	Black (BK)	1	148-00120

All dimensions in mm. Subject to technical changes.  
Minimum Order Quantity (MOQ) may differ from package content.



### Downlight covers - For Industrial buildings

- **SpotClip-Kit**

#### Features and Benefits

- Installation from the top or bottom in all types of suspended ceilings
- Ensures safety distance between downlight, damp-proof foil and insulation material
- Flexible installation during or after construction, suitable for use in existing and new buildings
- Additional spikes at the end of the legs prevents shifting during installation
- Intelligent cable routing with eyelet at the top
- Prevents damage to insulation material caused by overheating
- Heavy-duty leg design prevents long-term deformation
- Improves life span and reliability of the lamp
- Tested according to EN 60598-1, EN 60598-2-2, and NF C 15100



SpotClip-Kit 150 is used for fixing hole diameters from 100 mm to 270 mm.



SpotClip-Kit 240 is used for fixing hole diameters from 170 mm to 310 mm.

#### SpotClip-Kit 150

Slot	Fixing hole diameter Ø min. – Ø max.
1	100–170
2	120–190
3	140–210
4	160–230
5	180–250
6	200–270

All dimensions in mm. Subject to technical changes.

#### SpotClip-Kit 240

Slot	Fixing hole diameter Ø min. – Ø max.
1	170–210
2	190–230
3	210–250
4	230–270
5	250–290
6	270–310

All dimensions in mm. Subject to technical changes.



The feet position can be very easily adjusted using the click and release system.



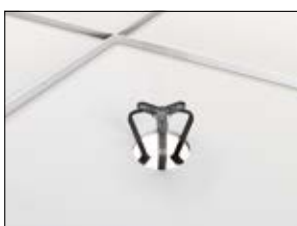
A robust design combined with retaining spikes ensures high stability.



SpotClip-Kit 240 is delivered as a self-assembly set.



SpotClip-Kit 150 is delivered as a self-assembly set.



1. Squeeze the legs and insert the SpotClip-Kit through the fixing hole.



2. Press the retaining spikes into the plasterboard to secure the legs.



3. Install the downlight according to the manufacturer's user manual.



4. Connect the downlight to the power supply and fix the cable into the routing eyelet.



### Downlight covers - For Industrial buildings

- **SpotClip-Plate**

SpotClip-Plate has been developed especially for installation in suspended grid ceilings in order to avoid damage and cracks in the ceiling plates caused by the weight of heavy downlights. The product dimensions of 592 mm x 592 mm mean that it fits perfectly into standard grid ceilings with a width of 600 mm. The pre-cut design makes it suitable for installation of the most commonly used downlights with a diameter from 75 mm to 314 mm.

Please check if your grid ceiling size corresponds to the side length of 600 mm. Depending on the manufacturer and country this can vary between 600 mm and 625 mm.

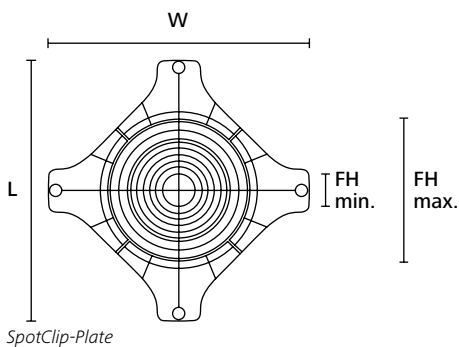


*SpotClip-Plate has been developed for applications with heavy downlights in suspended grid ceilings.*



*SpotClip-Plate fits perfect into standard grid ceilings with a width of 600 mm.*

<b>MATERIAL</b>	Polyamide 6.6, heat stabilised (PA66HS)
<b>Operating Temperature</b>	-40 °C to +105 °C
<b>Flammability</b>	UL94 V2, self-extinguishing, Glow Wire Test (GWT) 960°C



TYPE	Hole Ø (FH) min.	Hole Ø (FH) max.	Length (L)	Width (W)	Colour	Pack Cont.	Article-No.
SpotClip-Plate 600	75.0	314.0	592.0	592.0	Black (BK)	10	148-00117

All dimensions in mm. Subject to technical changes.  
Minimum Order Quantity (MOQ) may differ from package content.





### Downlight covers - For Industrial buildings

- **SpotClip-Plate**

#### Features and Benefits

- SpotClip-Plate distributes the load of the downlight equally across the suspended ceiling construction
- Flexible installation during or after construction, useful for both existing and new buildings
- Remains rigid even at higher temperature
- Flame retardant material according to UL94-V2
- Improves life span and reliability of lamps
- Faster and easier installation and replacement of bulbs
- Tested according to EN 60598-1, EN 60598-2-2, and NF C 15100



SpotClip-Plate comes in 16 pre-cut fixing hole diameter sizes.



Choose the required diameter and cut with a handsaw.



Use the SpotClip-Plate as a stencil to cut the fixing hole into the ceiling plate.



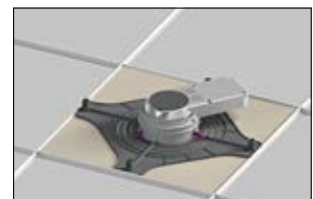
1. Place the SpotClip-Plate in position.



2. Cut the ceiling plate.



3. Insert the down light through the cutted hole.



4. Mount the down light.



### SpotClip-Plate - Further Accessories

- SpotClip-Caps
- SpotClip-Tubes

SpotClip-Plate can be used to ensure the safety distance between the downlight and insulation material. We offer three different solutions to prevent damage to insulation material caused by overheating of the bulb.

1. Place two plates on top of each other and use SpotClip-Tubes between these to achieve the required distance
2. Use SpotClip-Caps and SpotClip-Tubes to achieve the required distance between the plate and insulation material
3. Combine SpotClip-Kit with SpotClip-Plate for a fast solution

### Features and Benefits

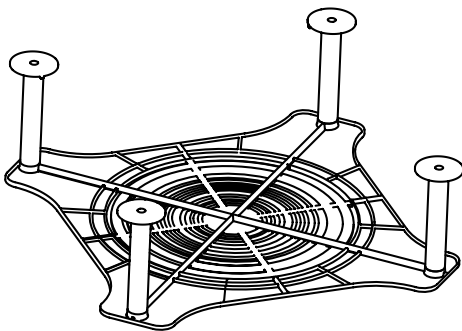
- Different solutions to ensure safety distance between downlight, damp-proof foil and insulation material
- SpotClip-Plate can be combined with SpotClip-Kit, SpotClip-Caps or placed on top of each other with standard SpotClip-Tubes to ensure the required distance
- Prevents damage to insulation material caused by overheating
- Improves life span and reliability of lamps
- Faster and easier installation and replacement of bulbs



SpotClip-Plate with insulation material - Plate-to-Plate solution.



SpotClip-Plate combined with SpotClip-Caps and SpotClip-Tubes.



SpotClip-Plate in combination with SpotClip-Tubes and SpotClip-Caps.

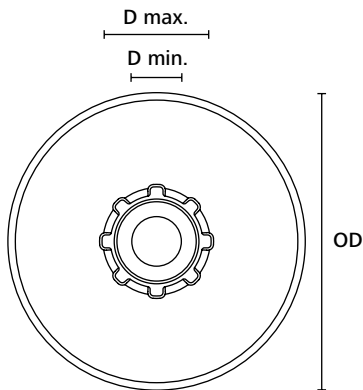


SpotClip-Plate combined with SpotClip-Kit, shown with insulation material.



### SpotClip-Plate - Further Accessories

- SpotClip-Caps



SpotClip-Cap



SpotClip-Caps offered in a pack of 4 pieces.

<b>MATERIAL</b>	Polyamide 6.6, heat stabilised (PA66HS)
<b>Operating Temperature</b>	-40 °C to +105 °C
<b>Flammability</b>	UL94 V2, self-extinguishing, Glow Wire Test (GWT) 960°C



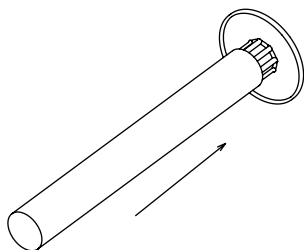
TYPE	Outside Ø (OD)	Ø D min.	Ø D max.	Colour	Pack Cont.	Article-No.
SpotClip-Caps 16/25	60.0	16	22	Black (BK)	4	148-00118

All dimensions in mm. Subject to technical changes.  
Minimum Order Quantity (MOQ) may differ from package content.

- SpotClip-Tubes



SpotClip-Cap fits into standard 25 mm diameter SpotClip-Tube.



SpotClip-Cap with 25 mm diameter SpotClip-Tube

<b>MATERIAL</b>	Flexible Polyvinyl Chloride (PVC)
<b>Operating Temperature</b>	-5 °C to +60 °C



TYPE	Length (L)	Ø D max.	Colour	Pack Cont.	Article-No.
SpotClip-Tubes	200.0	25	Grey (GY)	4	148-00131

All dimensions in mm. Subject to technical changes.  
Minimum Order Quantity (MOQ) may differ from package content.

